

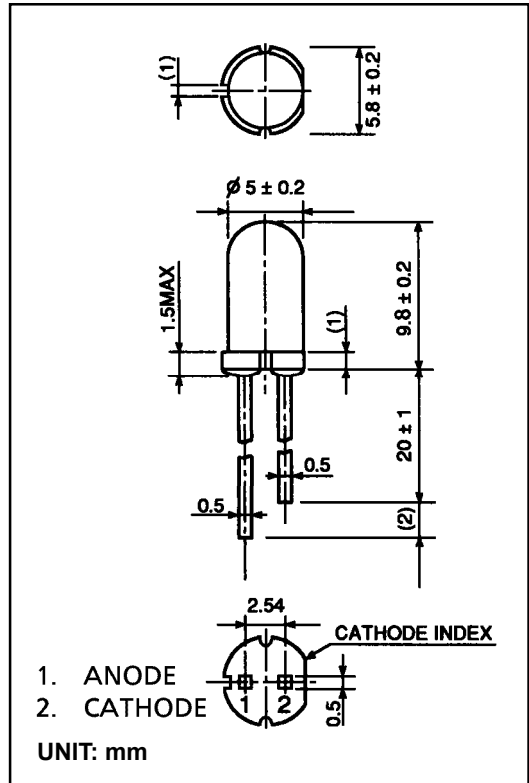
TLPGE183P

Product Features -

- InGaAlP Technology
- 5mm Diameter T-1¾ Package
- High Luminous Intensity
- Water Clear Lens
- Fast Response Time, Capable of Pulse Operation

MAXIMUM RATINGS (Ta = 25°C)

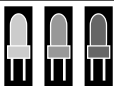
CHARACTERISTIC	SYMBOL	RATING	UNIT
Forward Current	I _F	50	mA
Reverse Voltage	V _R	4	V
Power Dissipation	P _D	140	mW
Operating Temperature	T _{opr}	-30 ~ 85	°C
Storage Temperature	T _{stg}	-40 ~ 120	°C



OPTO-ELECTRICAL CHARACTERISTICS (Ta = 25°C)

CHARACTERISTIC	SYMBOL	TEST CONDITION	MIN.	TYP.	MAX.	UNIT
Forward Voltage	V _F	IF = 20mA	—	2.27	2.8	V
Reverse Current	I _R	VR = 4V	—	—	50	µA
Luminous Intensity	I _v	IF = 20mA	476	1200	—	mcd
Viewing Angle	2θ½	—	—	8	—	°
Peak Wavelength	λ _p	IF = 20mA	—	562	—	nm
Dominant Wavelength	λ _d	IF = 20mA	—	558	—	nm
Spectral Line Half Width	Δλ	IF = 20mA	—	11	—	nm

* Luminous Ranks: (R : 560-1120mcd), (S : 1000-2000mcd), (T : 1800-3600mcd) Upper and lower limit tolerance ±15%
Available in One Bin Combination: (RS)



marktech
optoelectronics

120 Broadway • Menands, New York 12204

Toll Free: **(800) 98-4LEDS** • Fax: (518) 432-7454

TLPGE183P Graphs -

